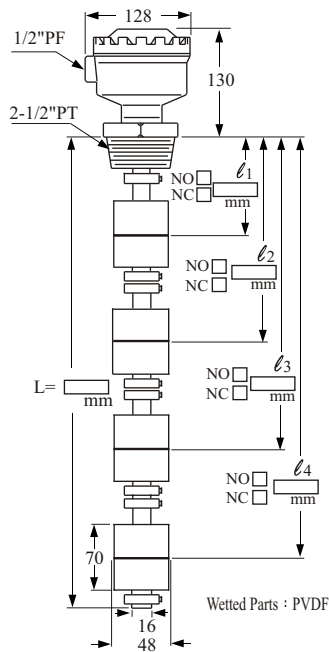


ANTI-CORROSION SCREW TYPE / FLANGE TYPE

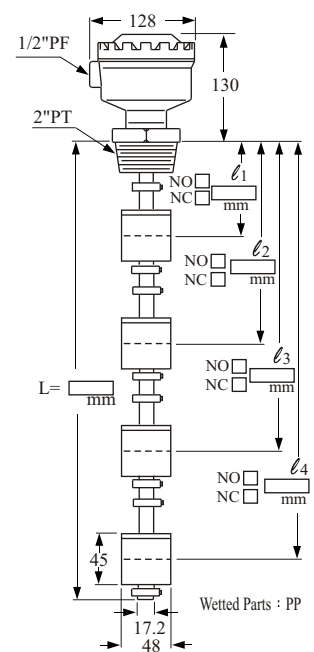
Housing material apply by PP, wet portion material options in PP, PVDF, specially applicable for chemical applications against corrosive environments.



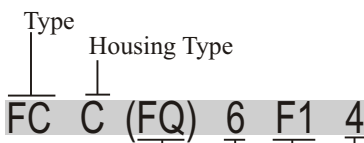
Type FC C (GQ) 6 F4 4



Type FC C (FQ) 5 P3 4

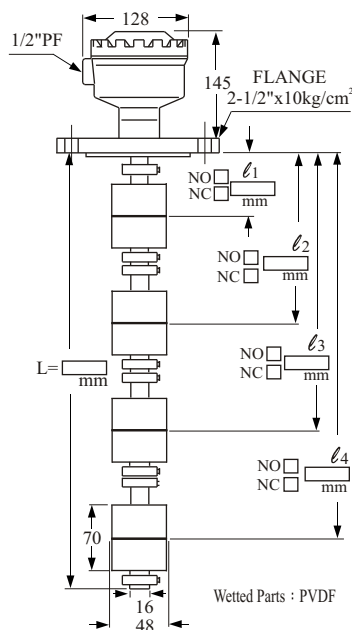


Order information



Connection Flanges	Pipe Diameter	Float Type	Float Quantity
GQ=2-1/2" PT	6= 16	F4=PVDF 48x70	1~ 4
FQ=2" PT	5= 17.2	P3=PP 48x45	1~ 4
GN=2-1/2" 10kg/cm ²	6= 16	F4=PVDF 48x70	1~ 4
FN=2" 10kg/cm ²	5= 17.2	P3=PP 48x45	1~ 4

Type FC C (GN) 6 F4 4



Type FC C (FN) 5 P3 4

