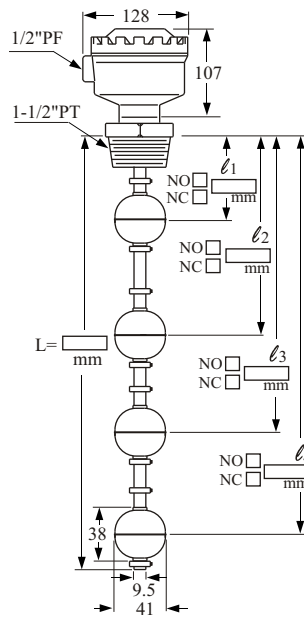


# STANDARD SCREW TYPE

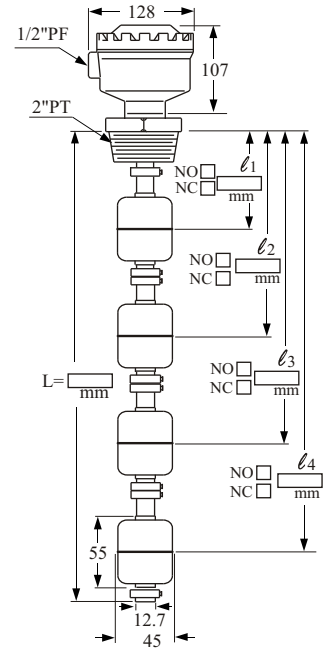
The housing complies with the IP65 rating and can therefore be used in outdoor environment.



**Type** FD B (EQ) 3 S2 4



**Type** FD B (FQ) 4 S3 4

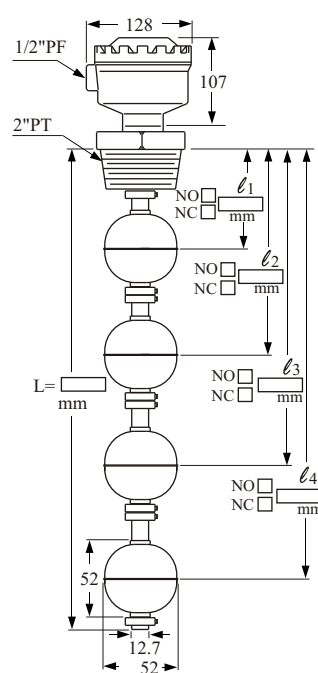


## Order information

Type: FD B (HQ) 7 S6 4  
Housing Type

Connection Flanges	Pipe Diameter	Float Type	Float Quantity
EQ=1-1/2" PT	3= 9.5	S2= 41x38	1~4
FQ=2" PT	4= 12.7	S3= 45x55	1~4
FQ=2" PT	4= 12.7	S4= 52x52	1~4
HQ=3" PT	7= 17.2	S6= 75x108	1~4

**Type** FD B (FQ) 4 S4 4



**Type** FD B (HQ) 7 S6 4

