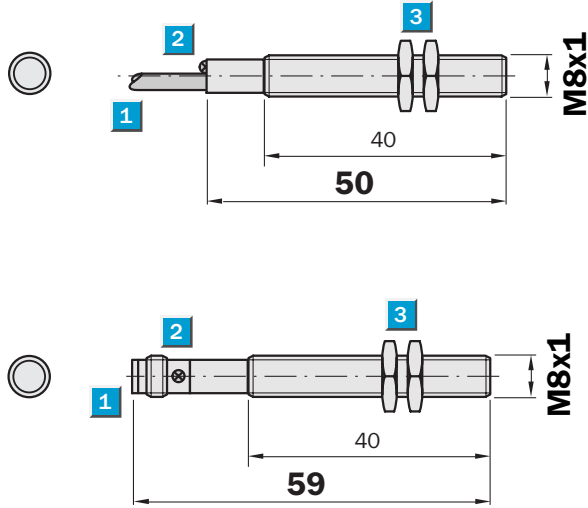


Sensing range
60 mm

Magnetic sensor

- Sensing range up to 60 mm
- High switching frequency
- Short-circuit protection (pulsed)
- Robust brass housing, nickel-plated with fine thread M8 x 1 mm
- Enclosure rating IP 67

Dimensional drawing



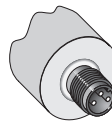
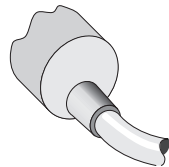
- 1 Connection
- 2 Display LED
- 3 Fastening nuts (2 x); width across 13, plastic



Connection type

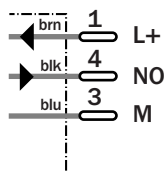
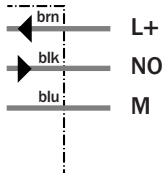
MM08-60ANS-ZU0
MM08-60APS-ZU0

MM08-60APS-ZT0



3 x 0.25 mm²

M8, 3-pin



See chapter Accessories
Connector, M8, 3-pin
Magnets

Technical data		MM08-	60ANS-ZUO	60APS-ZTO	60APS-ZUO							
Sensing range S_n	60 mm ¹⁾											
Magnetic alignment	Axial											
Electrical configuration	DC 3-wire											
Supply voltage V_s	DC 10 ... 30 V											
Ripple V_{pp}	$\leq 10 \%$ ²⁾											
Voltage drop V_d	$\leq 1.5 V$ ³⁾											
Current consumption	$\leq 10 mA$ ⁴⁾											
Continuous current I_a	$\leq 300 mA$											
Time delay before availability t_v	$\leq 2 ms$											
Hysteresis H (of s_r)	1 ... 10 %											
Repeatability R	$\leq 1 \%$ (U_b and T_a constant) ⁵⁾											
Temperature drift, of s_r	$\pm 10 \%$											
EMC	According to EN 60 947-5-2											
Switching output	PNP											
	NPN											
Output function	Normally open											
Connection types	Cable, PVC/PUR, 2 m											
	Plug, M8, 3-pin											
Enclosure rating	IP 67 ⁶⁾											
Max. switching frequency	5,000 Hz											
Dimensions	M8 x 1 ⁷⁾											
Wire-break protection	✓											
Short-circuit protection	✓ ⁸⁾											
Reverse polarity protection	✓											
Power-up pulse suppression	✓											
Shock / vibration stress	30 g, 11 ms / 10 ... 55 Hz, 1 mm											
Ambient temperature T_a	-25 °C ... +75 °C											
Housing material	Brass nickel-plated, plastic											
Tightening material	0.8 Nm											

¹⁾ sensing range based on installation in non-magnetizable material using Magnet MAG-3010-B (M 4.0)

²⁾ of U_b
³⁾ at I_a max
⁴⁾ without load

⁵⁾ of s_r
⁶⁾ according to EN 60 529
⁷⁾ thread diameter x pitch (mm)

⁸⁾ (pulsed)

Sensing ranges (Typical values)

Magnet type	Sensing range s_n	Sensing range s_n
	Any sensor installation type (flush or non-flush) in non-magnetizable material	Flush sensor installation in magnetizable material (e.g. iron)
MAG-1003-S (M 1.0)	23 mm	22 mm
MAG-0625-A (M 2.0)	24 mm	10 mm
MAG-2006-B (M 3.0)	36 mm	15 mm
MAG-3010-B (M 4.0)	60 mm	20 mm
MAG-3015-B (M 5.0)	68 mm	25 mm
MAG-3315-B (M 5.1)		

Order information

Type	Order no.
MM08-60ANS-ZUO	7 900 265
MM08-60APS-ZTO	7 900 266
MM08-60APS-ZUO	7 900 264