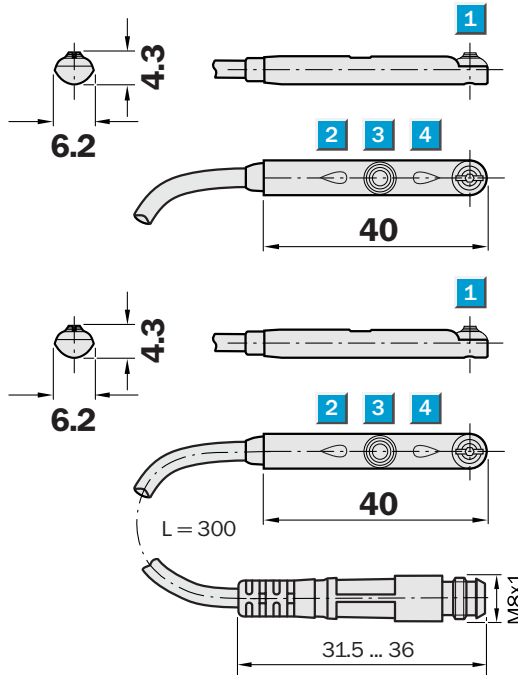


Detection area
0 ... 50 mm

Magnetic cylinder sensor

- Varied applications, e.g. defining end positions on short lifting cylinders or detecting intermediate positions
- Half the wiring
- Only one slot is occupied
- Compact housing, simple mounting from above
- Simple 2-point teach-in

Dimensional drawing

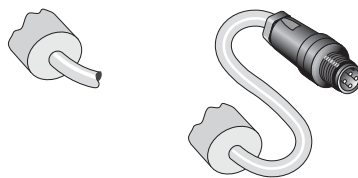


- 1 Mounting screw
- 2 LED indicator
- 3 Teach button
- 4 LED indicator

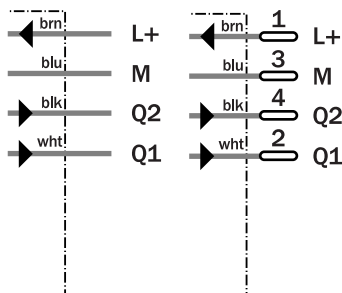


Connection type

MZ2Q-FTZPS-KW0 MZ2Q-FTZPS-KP0



4 x 0.14 mm² M8, 4-pin



Accessories	
Connector, M8, 4-pin	
Mounting systems	

Technical specifications		MZ2Q-	FTZPS-KPO	FTZPS-KWO									
Detection area from ... to	0 ... 50 mm												
Teach-in	✓												
Electrical configuration	DC 4-wire												
Supply voltage V_s	DC 12 ... 30 V												
Ripple U _{pp}	≤ 10 %												
Voltage drop U _d	≤ 2.2 V												
Power consumption	≤ 15 mA ¹⁾												
Continuous current I_a	≤ 100 mA												
Hysteresis H, of s _r	4 mm												
Repeatability R	≤ 0.1 mT (U _b and T _a constant)												
EMC	According to EN 60947-5-2												
Switching output	PNP												
Output function	Normally open												
Connection type	Cable with plug, M8, 4-pin, PUR, 0.3 m												
	Cable, PVC, 2 m												
Enclosure rating	IP 67 ²⁾												
Wire-break protection	✓												
Short-circuit protection	✓ ³⁾												
Reverse polarity protection	✓												
Power-up pulse suppression	✓												
Shock/vibration stress	30 g, 11 ms/10 ... 55 Hz, 1 mm												
Ambient temperature T _a	-20 °C ... +75 °C												
Housing material	Plastic												

¹⁾ without load ²⁾ according to EN 60529 ³⁾ (pulsed)

Ordering information	
Type	Part Number
MZ2Q-FTZPS-KPO	1 029 846
MZ2Q-FTZPS-KWO	1 029 845