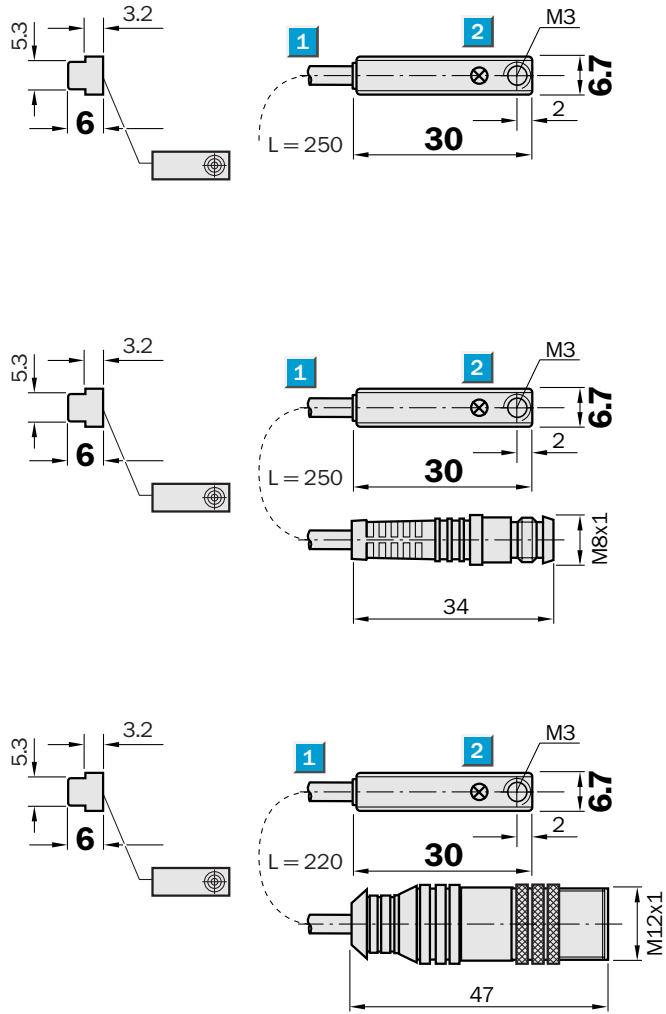


**for T-slot cylinders**  
Magnetic cylinder sensor

- High repeat accuracy
- Connection cable or connector on cable
- Enclosure rating IP 67
- LED status indicator
- Magneto-resistive element

Dimensional drawing



- 1 Connection
- 2 Display LED

Connection type

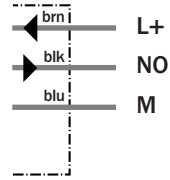
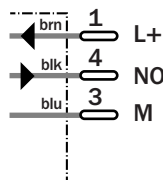
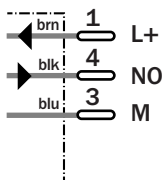
MZF1-03VPS-KPO	MZF1-03VPS-KQ0	MZF1-03VPS-KUB MZF1-03VPS-KU0
----------------	----------------	----------------------------------



M8, 3-pin

M12, 3-pin

3 x 0.25 mm<sup>2</sup>



**See chapter Accessories**  
Connector, M12, 4-pin  
Connector, M8, 3-pin

Technical data		MZF1-	03VPS -KPO	03VPS -KQO	03VPS -KUB	03VPS -KUO						
Sensing face	Front											
<b>Electrical configuration</b>	DC 3-wire											
<b>Supply voltage <math>V_s</math></b>	DC 10 ... 30 V											
Response sensitivity	3 mT											
Residual ripple $V_{pp}$	$\leq 10\%$ <sup>1)</sup>											
Voltage drop $V_d$	$\leq 2\text{ V}$ <sup>2)</sup>											
Power consumption	$\leq 10\text{ mA}$ <sup>3)</sup>											
<b>Continuous current <math>I_a</math></b>	$\leq 100\text{ mA}$											
Time delay before availability $t_v$	$\leq 2\text{ ms}$											
Hysteresis H, of $s_r$	$\leq 1.5\text{ mm}$											
Repeatability R	$\leq 0.2\text{ mm}$ ( $U_b$ and $T_a$ constant)											
EMC	According to EN 60947-5-2											
<b>Switching output</b>	PNP											
<b>Output function</b>	Normally open											
<b>Connection type</b>	Cable, PVC/PUR, 2 m											
	Cable, PVC/PUR, 5 m											
	Cable with plug, M12, 3-pin, PVC											
	Cable with plug, M8, 3-pin, PUR											
Enclosure rating	IP 67 <sup>4)</sup>											
Max. switching frequency	5,000 Hz											
<b>Wire-break protection</b>	✓											
<b>Short circuit protection</b>	✓ <sup>5)</sup>											
<b>Reverse polarity protection</b>	✓											
<b>Power-up pulse suppression</b>	✓											
Shock/vibration stress	30 g, 11 ms / 10 ... 55 Hz, 1 mm											
Ambient operating temperature $T_a$	-25 °C ... +75 °C											
Housing material	Plastic											

<sup>1)</sup> of  $U_b$

<sup>2)</sup> at  $I_a$  max

<sup>3)</sup> without load

<sup>4)</sup> according to EN 60 529  
<sup>5)</sup> (pulsed)

Order information	
Type	Order no.
MZF1-03VPS-KPO	7 900 597
MZF1-03VPS-KQO	1 016 406
MZF1-03VPS-KUB	7 903 147
MZF1-03VPS-KUO	7 900 596