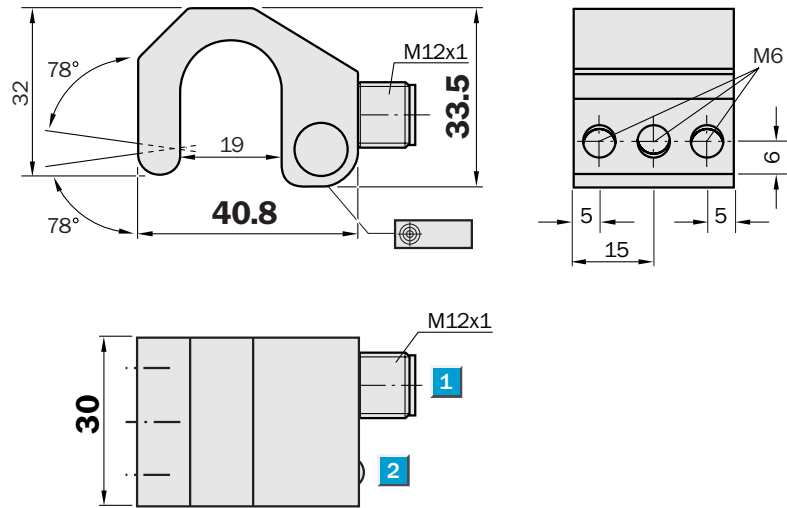
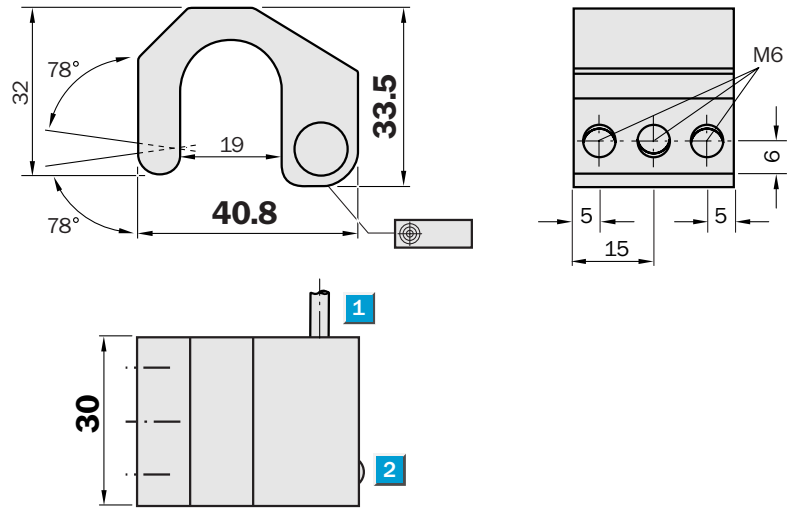


for integrated profile cylinders
Magnetic cylinder sensor

- Mounting on integrated profile with max. width of 18 mm
- High repeat accuracy
- Solid aluminium housing with integrated mounting claw
- Cable or connector
- LED status indicator

Dimensional drawing



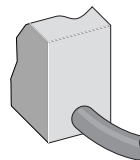
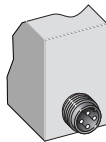
- 1 Connection
- 2 Display LED



Connection type

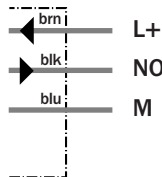
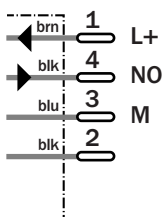
MZP4-03VPS-ACO

MZP4-03VPS-AUO



M12, 4-pin

3 x 0.25 mm²



See chapter Accessories

Connector, M12, 4-pin

Technical data		MZP4-	03VPS -ACO	03VPS -AUO										
Sensing face	Front													
Electrical configuration	DC 3-wire													
Supply voltage V_s	DC 10 ... 30 V													
Response sensitivity	3 mT													
Residual ripple V_{pp}	$\leq 10\%$ ¹⁾													
Voltage drop V_d	$\leq 1.5\text{ V}$ ²⁾													
Power consumption	$\leq 10\text{ mA}$ ³⁾													
Continuous current I_a	$\leq 300\text{ mA}$													
Time delay before availability t_v	$\leq 2\text{ ms}$													
Hysteresis H, of s_r	$\leq 1\text{ mm}$													
Repeatability R	$\leq 0.1\text{ mm}$ (U_b and T_a constant)													
EMC	According to EN 60947-5-2													
Switching output	PNP													
Output function	Normally open													
Connection type	Cable, PVC/PUR, 2 m													
	Connector, M12, 4-pin													
Enclosure rating	IP 67 ⁴⁾													
Max. switching frequency	5,000 Hz													
Wire-break protection	✓													
Short circuit protection	✓ ⁵⁾													
Reverse polarity protection	✓													
Power-up pulse suppression	✓													
Shock/vibration stress	30 g, 11 ms / 10 ... 55 Hz, 1 mm													
Ambient operating temperature T_a	-25 °C ... +75 °C													
Housing material	Aluminium, plastic													

¹⁾ of U_b ²⁾ at I_a max³⁾ without load⁴⁾ according to EN 60 529⁵⁾ (pulsed)**Order information**

Type	Order no.
MZP4-03VPS-ACO	7 900 616
MZP4-03VPS-AUO	7 900 614