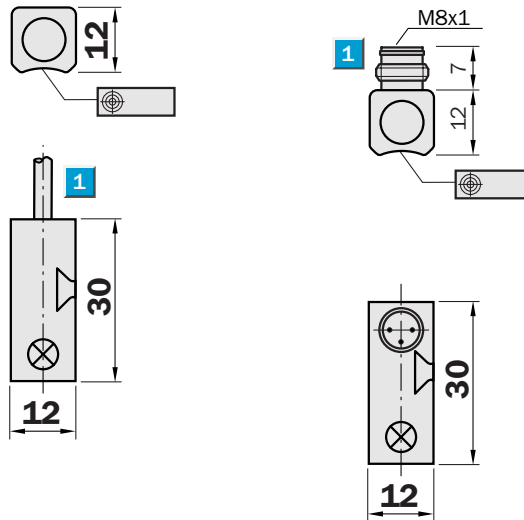




- Universal mounting using clamping band for max. cylinder diameter of 100 mm
- High repeat accuracy
- Solid aluminium housing
- Cable or connector
- LED status indicator

Dimensional drawing



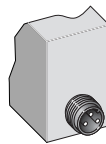
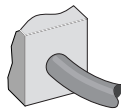
1 Connection



Connection type

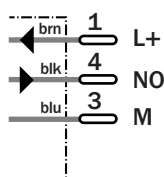
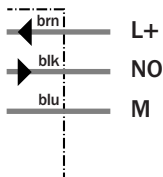
MZR2-03VNS-AU0
MZR2-03VPS-AU0

MZR2-03VNS-ATO
MZR2-03-VPS-ATO



3 x 0.25 mm²

M8, 3-pin



See chapter Accessories

Connector, M8, 3-pin

Mounting systems

Technical data		MZR2-	03VNS-ATO	03VNS-AUO	03VPS-ATO	03VPS-AUO						
Sensing face	Front											
Electrical configuration	DC 3-wire											
Supply voltage V_s	DC 10 ... 30 V											
Response sensitivity	≤ 3 mT											
Residual ripple V_{pp}	≤ 10 % ¹⁾											
Voltage drop V_d	≤ 1.5 V ²⁾											
Power consumption	≤ 10 mA ³⁾											
Continuous current I_a	≤ 300 mA											
Time delay before availability t_v	≤ 2 ms											
Hysteresis H, of s_r	≤ 1 mm											
Repeatability R	≤ 0.1 mm (U_b and T_a constant)											
EMC	According to EN 60947-5-2											
Switching output	PNP											
	NPN											
Output function	Normally open											
Connection type	Cable, PUR-PVC, 2 m											
	Connector, M8, 3-pin											
Enclosure rating	IP 67 ⁴⁾											
Max. switching frequency	5,000 Hz											
Wire-break protection	✓											
Short circuit protection	✓ ⁵⁾											
Reverse polarity protection	✓											
Power-up pulse suppression	✓											
Shock/vibration stress	30 g, 11 ms / 10 ... 55 Hz, 1 mm											
Ambient operating temperature T_a	-25 °C ... +75 °C											
Housing material	Aluminium, plastic											

1) of U_b 2) at I_a max

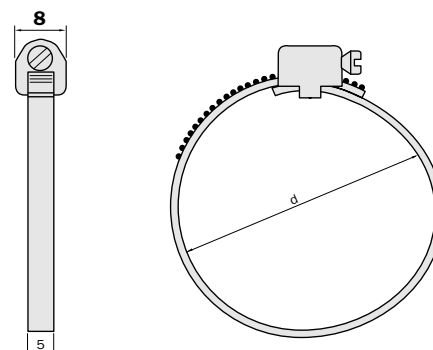
3) without load

4) according to EN 60 529

5) (pulsed)

Accessories:**Clamping band, stainless steel**

For cylinder range with piston diameter	Clamping range d in mm	Type	Order no.
8 ... 16 mm	18 ... 29	BEF-S-R2-16	7 901 762
20 / 25 mm	28 ... 39	BEF-S-R2-25	7 901 763
32 mm	38 ... 49	BEF-S-R2-30	7 901 764
40 mm	48 ... 59	BEF-S-R2-40	7 901 765
50 mm	58 ... 69	BEF-S-R2-50	7 901 766
63 mm	68 ... 79	BEF-S-R2-63	7 901 767
80 mm	88 ... 99	BEF-S-R2-80	7 901 768
100 mm	98 ... 109	BEF-S-R2-100	7 901 769

**Order information**

Type	Order no.
MZR2-03VNS-ATO	7 900 601
MZR2-03VNS-AUO	7 900 599
MZR2-03VPS-ATO	7 900 600
MZR2-03VPS-AUO	7 900 598