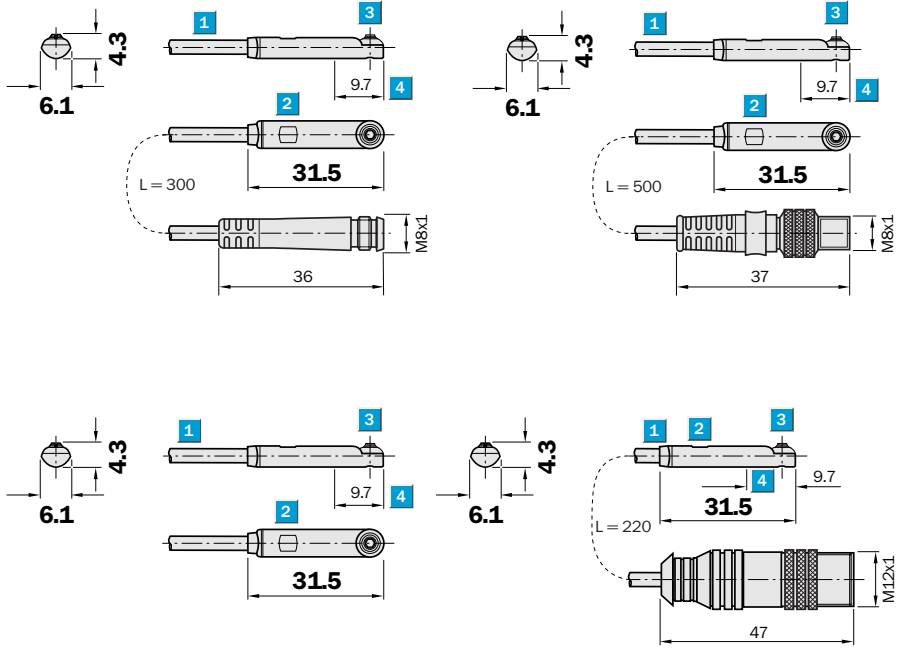


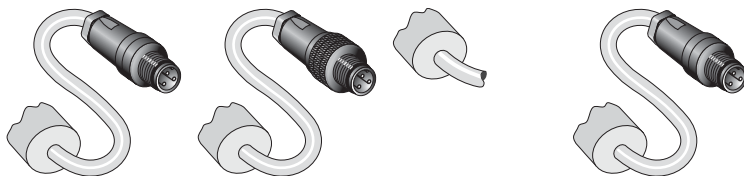
- Mountable from the top
- For all common used roundslot-cylinder e.g. Festo, SMC
- Plastic housing with nickel silver bushing and hexagon socket/slotted screw
- Magneto-resistive element
- LED function indicator
- Enclosure rating IP 68
- ATEX 3D / 3G

Dimensional drawing

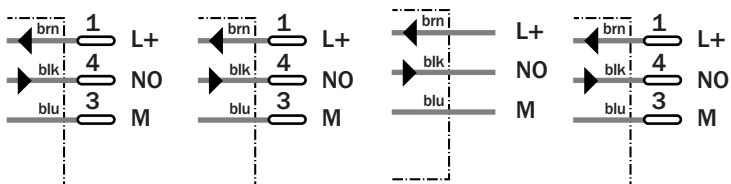


Connection type

MZT6-03VPS-KP0	MZT6-03VPS-KR0	MZT6-03VPS-KW0	MZT6-03VPS-KQ0
MZT6-03VPS-KPX		MZT6-03VPS-KWX	MZT6-03VPS-KQX



M8, 3-pin	M8, 3-pin, w/kn. scr.	3 x 0.14 mm ²	M12, 3-pin
-----------	-----------------------	--------------------------	------------



Accessories
Connector, M12, 4-pin
Connector, M8, 3-pin
Mounting systems

Technical specifications		MZT6-	03VPS -KPO	03VPS -KQO	03VPS -KRO	03VPS -KWO	03VPS -KWX	03VPS -KQX	03VPS -KPX			
Sensing face	Front											
Electrical configuration	DC 3-wire											
Supply voltage V_s	DC 10 ... 30 V											
	DC 18 ... 30 V											
Response sensitivity	2.8 mT											
Ripple U _{pp}	≤ 10 %											
Voltage drop U _d	≤ 2.5 V											
Power consumption	≤ 10 mA ¹⁾											
Continuous current I_a	≤ 100 mA											
	≤ 70 mA											
Hysteresis H typ.	> 0.5 mT											
Repeatability R	≤ 0.1 mT (U _b and T _a constant)											
EMC	According to EN 60947-5-2											
Switching output	PNP											
Output function	Normally open											
Connection type	Cable with plug, M8, 3-pin, PUR, 0.3 m											
	Cable with plug, M12, 3-pin, PUR, 0.22 m											
	Cable with plug, M8, 3-pin, w. knurled screws, PUR, 0.5 m											
	Cable, PVC, 2 m											
Enclosure rating	IP 68 ²⁾											
Approval for ATEX-zone	3G / 3D ³⁾											
	3G ⁴⁾											
Max. switching frequency	5,000 Hz											
Wire-break protection	✓											
Short-circuit protection	✓ ⁵⁾											
Reverse polarity protection	✓											
Power-up pulse suppression	✓											
Shock/vibration stress	30 g, 11 ms/10 ... 55 Hz, 1 mm											
Ambient temperature T _a	-25 °C ... +75 °C											
	-20 °C ... +45 °C											
Housing material	Plastic											

¹⁾ without load

²⁾ according to EN 60529

³⁾ Ex II 3G EEx nA II T4 X/Ex II 3D T135°C IP 67 ⁵⁾ (pulsed)

⁴⁾ Ex II 3G EEx nA II T4 X

Ordering information

Type	Order No.
MZT6-03VPS-KPO	1 023 971
MZT6-03VPS-KQO	1 025 550
MZT6-03VPS-KRO	1 023 972
MZT6-03VPS-KWO	1 023 970
MZT6-03VPS-KWX	1 025 827
MZT6-03VPS-KQX	1 029 161
MZT6-03VPS-KPX	1 028 629