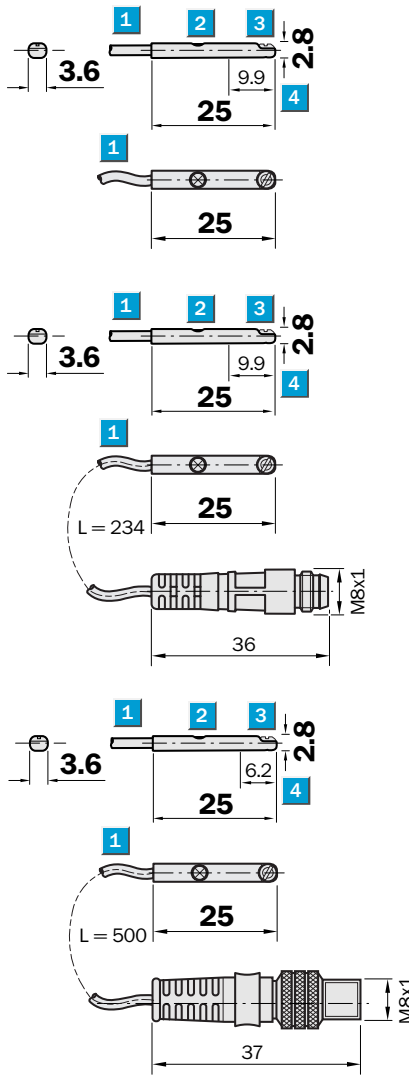


for C-slot cylinders
Magnetic cylinder sensor

- Mountable from the top
- For all common used roundslot cylinder e.g. Festo, SMC
- LED status indicator
- Connection cable or connector on cable
- Enclosure rating IP 67

Dimensional drawing



- 1 Connection
- 2 Display LED
- 3 Mounting screw
- 4 Position sensor element

Connection type

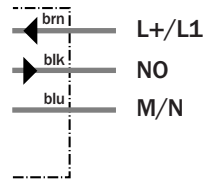
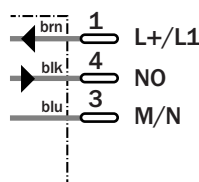
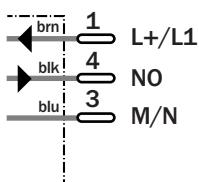
RZN1-05ZRS-KPO	RZN1-05ZRS-KRD	RZN1-05ZRS-KUO
----------------	----------------	----------------



M8, 3-pin

M8, 3-pin, w/kn. scr.

3 x 0.09 mm²



See chapter Accessories

Connector, M8, 3-pin

Technical data		RZN1-	05ZRS -KPO	05ZRS -KRD	05ZRS -KU0							
Sensing face	Centre											
Electrical configuration	AC/DC 3-wire											
Supply voltage V_s	AC/DC 10 ... 30 V											
Maximum switching power	10 W / VA											
Continuous current I _a DC/AC	≤ 500 mA / ≤ 300 mA											
Switch on delay	Approx. 1.0 ms											
Time delay OUT	Approx. 0.5 ms											
Hysteresis H typ.	< 0.7 mT											
Repeatability R	≤ 0.1 mm (U _b and T _a constant)											
EMC	According to EN 60 947-5-2											
Switching output	Reed											
Output function	Normally open											
Connection type	Cable, PUR, 2 m											
	Cable with plug, M8, 3-pin, w. knurled screws, PUR, 0.5 m											
	Cable with plug, M8, 3-pin, PUR, 0.24 m											
Enclosure rating	IP 67 ¹⁾											
Max. switching frequency	500 Hz											
Shock/vibration stress	30 g, 11 ms / 10 ... 55 Hz, 1 mm											
Ambient operating temperature T _a	-25 °C ... +75 °C											
Housing material	PA 12											

¹⁾ according to EN 40 050

Order information

Type	Order no.
RZN1-05ZRS-KPO	1 022 056
RZN1-05ZRS-KRD	1 022 939
RZN1-05ZRS-KU0	1 022 055