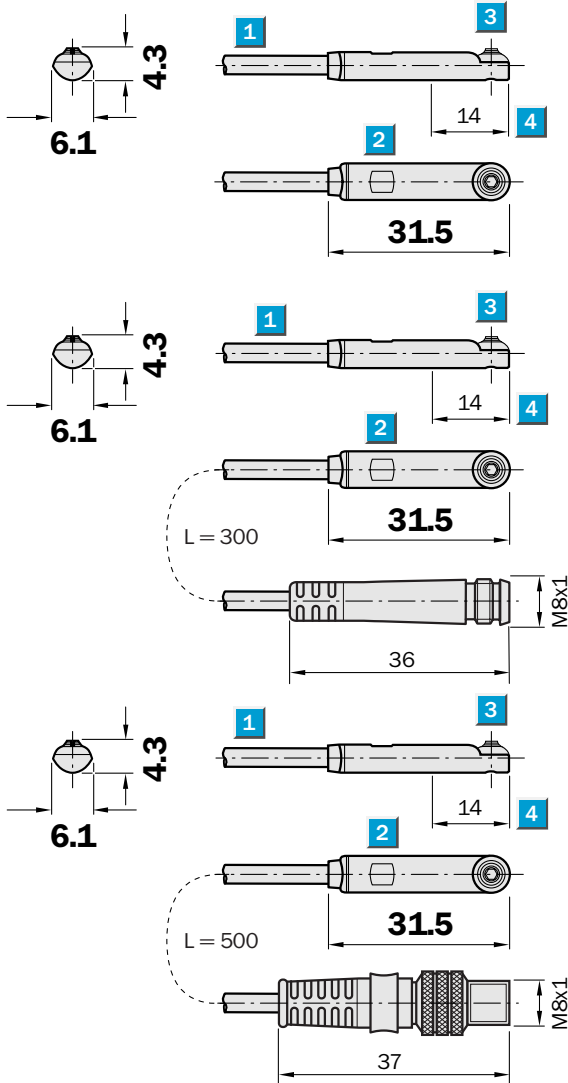


**T-slot cylinders**  
Magnetic cylinder sensor

- Mountable from the top
- For all common used T-slot cylinder e.g. Festo, SMC
- Plastic housing with nickel silver bushing and hexagon socket/slotted screw
- LED function indicator
- Enclosure rating IP 68



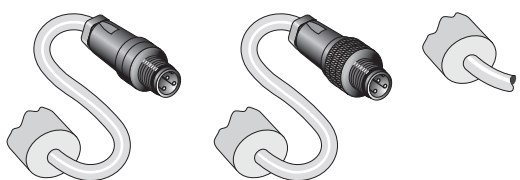
Dimensional drawing



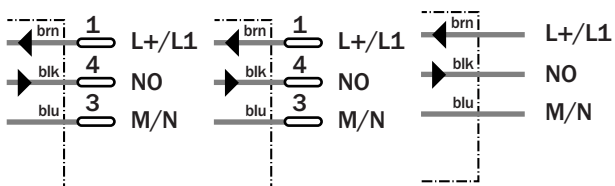
- 1 Connection
- 2 Display LED
- 3 Mounting screw
- 4 Position sensor element

Connection type

RZT6-03ZRS-KPO	RZT6-03ZRS-KRO	RZT6-03ZRS-KWO
----------------	----------------	----------------



M8, 3-pin	M8, 3-pin, w/kn. scr.	3 x 0.14 mm <sup>2</sup>
-----------	-----------------------	--------------------------



**Accessories**  
Connector, M8, 3-pin  
Mounting Systems

Technical data		RZT6-	03ZRS -KPO	03ZRS -KRO	03ZRS -KWO							
Sensing face	Centre											
<b>Electrical configuration</b>	AC/DC 3-wire											
<b>Supply voltage U<sub>v</sub></b>	AC/DC 10 ... 30 V											
Max. switching power	6 W/VA											
Response sensitivity	3 mT											
Voltage drop U <sub>d</sub>	≤ 2.5 V											
Power consumption	≤ 10 mA <sup>1)</sup>											
<b>Continuous current I<sub>a</sub></b>	≤ 500 mA											
Switch on delay	approx. 1.5 ms											
Time delay off	approx. 0.5 ms											
Hysteresis H typ.	> 0.5 mT											
Repeatability R	≤ 0.1 mT (U <sub>b</sub> and T <sub>a</sub> constant)											
EMC	According to EN 60947-5-2											
<b>Switching output</b>	Reed											
<b>Output function</b>	Normally open											
<b>Connection type</b>	Cable, PVC, 2 m											
	Cable with plug, M8, 3-pin, w. knurled screws, PUR, 0.5 m											
	Cable with plug, M8, 3-pin, PUR, 0.3 m											
<b>Enclosure rating</b>	IP 68 <sup>2)</sup>											
Max. switching frequency	400 Hz											
<b>Wire-break protection</b>	✓											
<b>Short circuit protection</b>	✓ <sup>3)</sup>											
<b>Reverse polarity protection</b>	✓											
<b>Power-up pulse suppression</b>	✓											
Shock/vibration stress	30 g, 11 ms/10 ... 55 Hz, 1 mm											
Ambient temperature T <sub>a</sub>	-25 °C ... +75 °C											
<b>Housing material</b>	Plastic											

<sup>1)</sup> Without load

<sup>2)</sup> According to EN 60529

<sup>3)</sup> (pulsed)

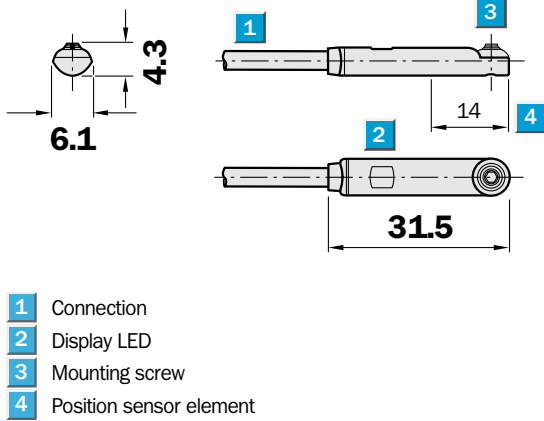
#### Order information

Type	Order No.
RZT6-03ZRS-KPO	1 023 973
RZT6-03ZRS-KRO	1 023 975
RZT6-03ZRS-KWO	1 023 974

**T-slot cylinders**  
Magnetic cylinder sensor

- Mountable from the top
- For all common used T-slot cylinder e.g. Festo, SMC
- Plastic housing with nickel silver bushing and hexagon socket/slotted screw
- LED function indicator
- Enclosure rating IP 68

Dimensional drawing



- 1 Connection
- 2 Display LED
- 3 Mounting screw
- 4 Position sensor element

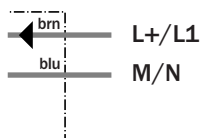


Connection type

RZT6-03ZUS-KW0



2 x 0.12 mm<sup>2</sup>



Accessories  
Mounting Systems

Technical data		RZT6-	03ZUS-KWO											
Sensing face	Centre													
<b>Electrical configuration</b>	AC/DC 2-wire													
<b>Supply voltage <math>U_v</math></b>	AC/DC 10 ... 120 V													
Max. switching power	6 W/VA													
Response sensitivity	3 mT													
<b>Continuous current <math>I_a</math></b>	$\leq 100$ mA													
Switch on delay	approx. 1.5 ms													
Time delay off	approx. 0.5 ms													
Hysteresis H typ.	$> 0.5$ mT													
Repeatability R	$\leq 0.1$ mT ( $U_b$ and $T_a$ constant)													
EMC	According to EN 60947-5-2													
<b>Switching output</b>	Reed													
<b>Output function</b>	Normally open													
<b>Connection type</b>	Cable, PVC, 2 m													
<b>Enclosure rating</b>	IP 68 <sup>1)</sup>													
Max. switching frequency	400 Hz													
<b>Wire-break protection</b>	-													
<b>Short circuit protection</b>	-													
<b>Reverse polarity protection</b>	✓													
<b>Power-up pulse suppression</b>	-													
Shock/vibration stress	30 g, 11 ms/10 ... 55 Hz, 1 mm													
Ambient temperature $T_a$	-25 °C ... +75 °C													
<b>Housing material</b>	Plastic													

<sup>1)</sup> According to EN 60529

Order information	
Type	Order No.
RZT6-03ZUS-KWO	1 025 522