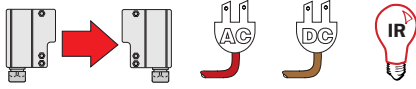


WS/WE 36

Through Beam Sensors



0...196.9 ft (0...60 m)
sensing range



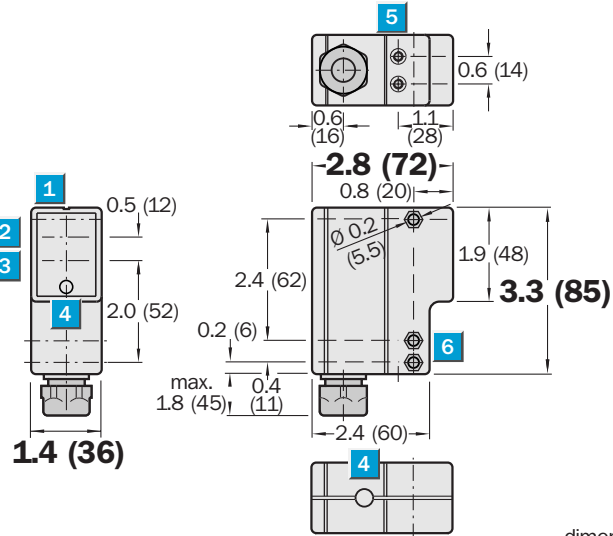
Highlights

- Rugged plastic housing
- Sensitivity adjustment
- Terminal chamber for connection flexibility
- Selectable time delays
- Wide range supply voltage
- High output current
- Optional lens heater

WS/WE 36

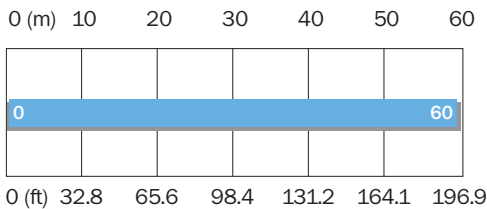
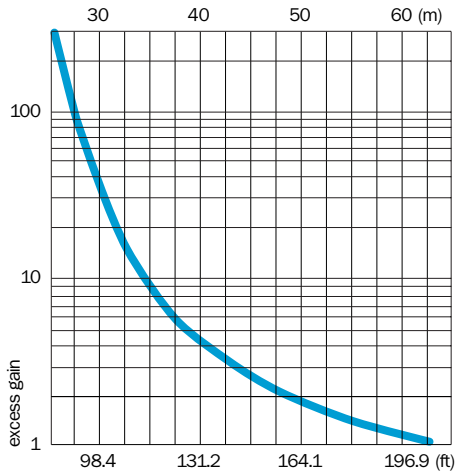


Dimensional Drawing



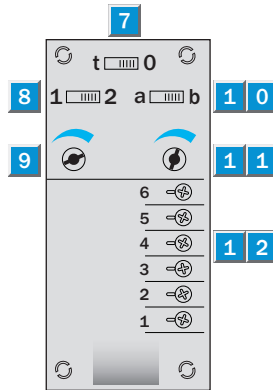
dimensions in inches (mm)

Excess Gain



Adjustments

All types



- Alignment sight
- Center of optical axis, receiver
- Center of optical axis, sender
- LED signal strength indicator, top and front
- M5 threaded mounting hole – 5.5 mm deep
- Through hole on both sides
- ON/OFF timer switch
t = Time ON, 0 = Time OFF
- Time delay
1 ON-delay
2 OFF-delay
- Time control 0.5 to 12 s
- Light/dark selector
a = Light switching, b = Dark switching
- Sensitivity adjustment
- Terminal connections

Order Information

Type	Part no.
WS/WE 36-R230	1 010 978
WS/WE 36-R730	1 010 980
WS/WE 36-R930	1 010 981

Accessories

	page
Cables and connectors	915
Mounting brackets	924, 935
Attachable heated cover	959

Technical Data		WS/WE 36	R230	R730	R930						
Sensing range	0...196.9 ft (0...60 m)										
Sensitivity	Adjustable										
Light source¹⁾, light type	LED, infrared light										
Light spot diameter	Approx. 51.2 in at 82 ft (1300 mm at 25 m)										
Supply voltage V_S	24...240 V UC (+ 10%/– 25%)										
Power consumption	< 2 VA										
Switching output	Relay, SPDT, electrically isolated ²⁾										
Max. switching voltage	AC: 250 V / DC: 120 V										
Max. switching current	4 A / 240 V AC or 24 V DC										
Max. switching capacity	AC: 1000 VA / DC: 100 W										
Response time	≤ 20 ms										
Max. switching frequency ³⁾	10 Hz										
Light/dark switching	Switch-selectable										
Connection types	PG 11 terminal chamber										
	Plug, square 7-pin										
	1/2" NPSM terminal chamber										
VDE protection class⁴⁾	<input type="checkbox"/>										
Circuit protection⁵⁾	A, C										
Enclosure rating	IP 67										
	IP 65										
Ambient temperature T_A	Operation -13...131°F (-25...55°C)										
	Storage -40...158°F (-40 ...70°C)										
Approximate weight	5.6 oz (160 g)										
Housing material	Glass fiber reinforced ABS										

- 1) Average service life 100,000 h at T_A = 25°C
- 2) Provide suitable spark suppression for inductive or capacitive loads

- 3) With light/dark ratio 1:1
- 4) Reference voltage 250 V AC
- 5) A = V_S connections reverse-polarity protected
C = Interference pulse suppression

Connection Diagram

