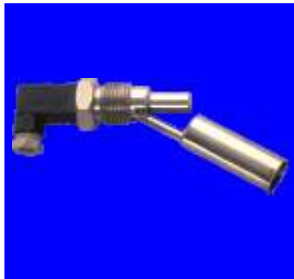


- **Stainless steel**
- **Plug in connection**
- **External mounting**
- **Compact design**
- **Temperature range to 120°C**
- **User configurable N/O or N/C action**



Model SSF212P

The SSF212 series is a horizontally mounted switch that is mounted externally in the side of the tank, with a ½" NPT (fits ½" BSP) thread.

This type is fitted with a Plug and Socket connector.

They are manufactured in 304 grade Stainless Steel, for those liquids and environments that require the use of Stainless Steel and will work in liquids of SG 0.8 minimum.

The switch action may be reversed by mounting the device with the orientation arrow pointing downwards, instead of the normal upwards direction.

Crydom Part No : SSF212XP

TECHNICAL SPECIFICATIONS

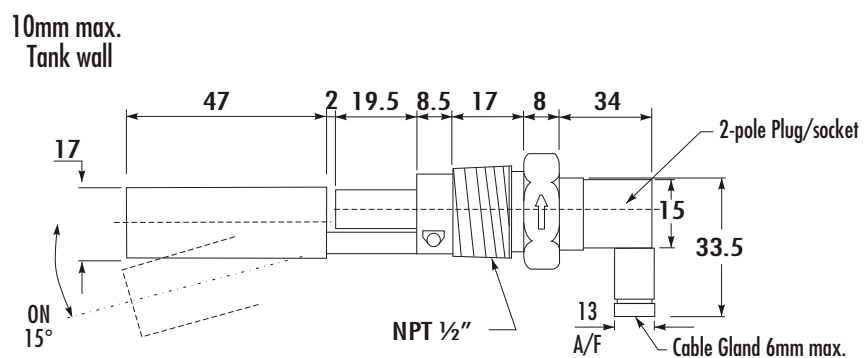
Mounting style	External	Cable length - standard	Plug
Mounting thread	½" NPT	Cable size	17/0.10 - AWG22
Float & Stem material	304 grade	Cable conductor material	Not supplied
Maximum Temperature	120°C	Cable sheath material	Not supplied
Maximum Pressure	5 bar	Cable temperature rating	Not supplied
Float SG	0.7	Sealing gasket	Not supplied
Minimum fluid SG	0.8	Tightening torque for fixing nut	N/A

ELECTRICAL SPECIFICATIONS

Contact type	N/O or N/C
Switching Power VA	50
Switching current max A	0.5
Switching voltage AC	300
Switching voltage DC	300
Breakdown voltage min DC	600

All ratings are for resistive load only

OUTLINE DIMENSIONS



CONTACT US NOW UNITED KINGDOM CRYDOM

T +44 (0) 1202 897969
F +44 (0) 1202 891918
E magnetics@crydom.com
W www.crydom.co.uk

USA CRYDOM

T +1 619 2101600
F +1 619 710 8540
E sales@crydom.com
W www.crydom.com

Model SSF212P
liquid level sensors

